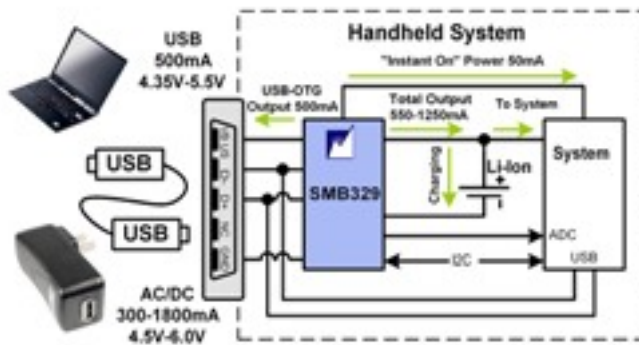


## Battery Charger IC Offers “Instant On” Feature

Published on Electronic Component News (<http://www.ecnmag.com>)

---

## Battery Charger IC Offers “Instant On” Feature



The SMB339 Series programmable battery charger from Summit Microelectronics has features such as integrates additional features, such as "instant-on", even with a dead battery, and real-time charge current monitoring. The device parameters are programmable in non-volatile memory for power-up configuration, and in volatile memory for in-system adjustments via the I2C host interface. The SMB329 supports all relevant interface (USB2.0, USB OTG, USB charging) and safety (IEEE1725, JICS8714) specifications. From \$1.15 each in quantities of 10,000 units.

Summit Microelectronics  
408-523-1000, [www.summitmicro.com](http://www.summitmicro.com) [1]

Visit [www.summitmicro.com/MobileGreen](http://www.summitmicro.com/MobileGreen) [2] for more information.

**Source URL (retrieved on 01/27/2015 - 9:41am):**

<http://www.ecnmag.com/product-releases/2009/05/battery-charger-ic-offers-%E2%80%9Cinstant-on%E2%80%9D-feature>

### Links:

- [1] <http://www.summitmicro.com/>
- [2] <http://www.summitmicro.com/MobileGreen>