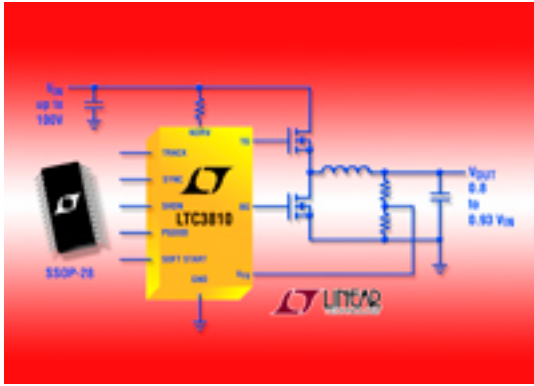


Current Mode Synchronous Step-Down Controller



Linear Technology Corp. introduces the LTC3810, a high input voltage synchronous step-down switching regulator controller that can directly step down voltages from 100V to output voltages ranging from 0.8V to 93 percent of VIN. This single inductor design eliminates the need for a transformer. The device uses a constant on-time valley current mode control architecture to deliver low duty cycles and fast transient response with accurate cycle-by-cycle current limit without requiring a sense resistor. Its strong onboard 1 Ohm gate drivers minimize switching transient losses associated with driving MOSFETs at high frequency and high voltage. The switching frequency is selectable from 100 kHz to 1 MHz, or it can be synchronized to an external source over the same range.

Linear Technology Corp.
408-432-1900, www.linear.com [1]

Source URL (retrieved on 01/30/2015 - 4:43pm):

http://www.ecnmag.com/product-releases/2007/07/current-mode-synchronous-step-down-controller?qt-video_of_the_day=0

Links:

[1] <http://www.linear.com/>